

POLO

Mixer Taps

Code: R525 A00

MITIGEUR POLO



DETAILS

Mixer type Single lever mixer tap with rotating barrel and flexible shower, with stainless steel covering.

Material AISI 304 stainless steel

Texture Brushed in line

Rotating angle 360°

Strengthening plate ø50 mm

Cartridge With ceramic discs

Mixer hole ø35 mm

Max worktop thickness 40 mm

FEATURES

Double jet (flow and rain)

Several models are equipped with a switch to easily change the flow from continuous to shower.

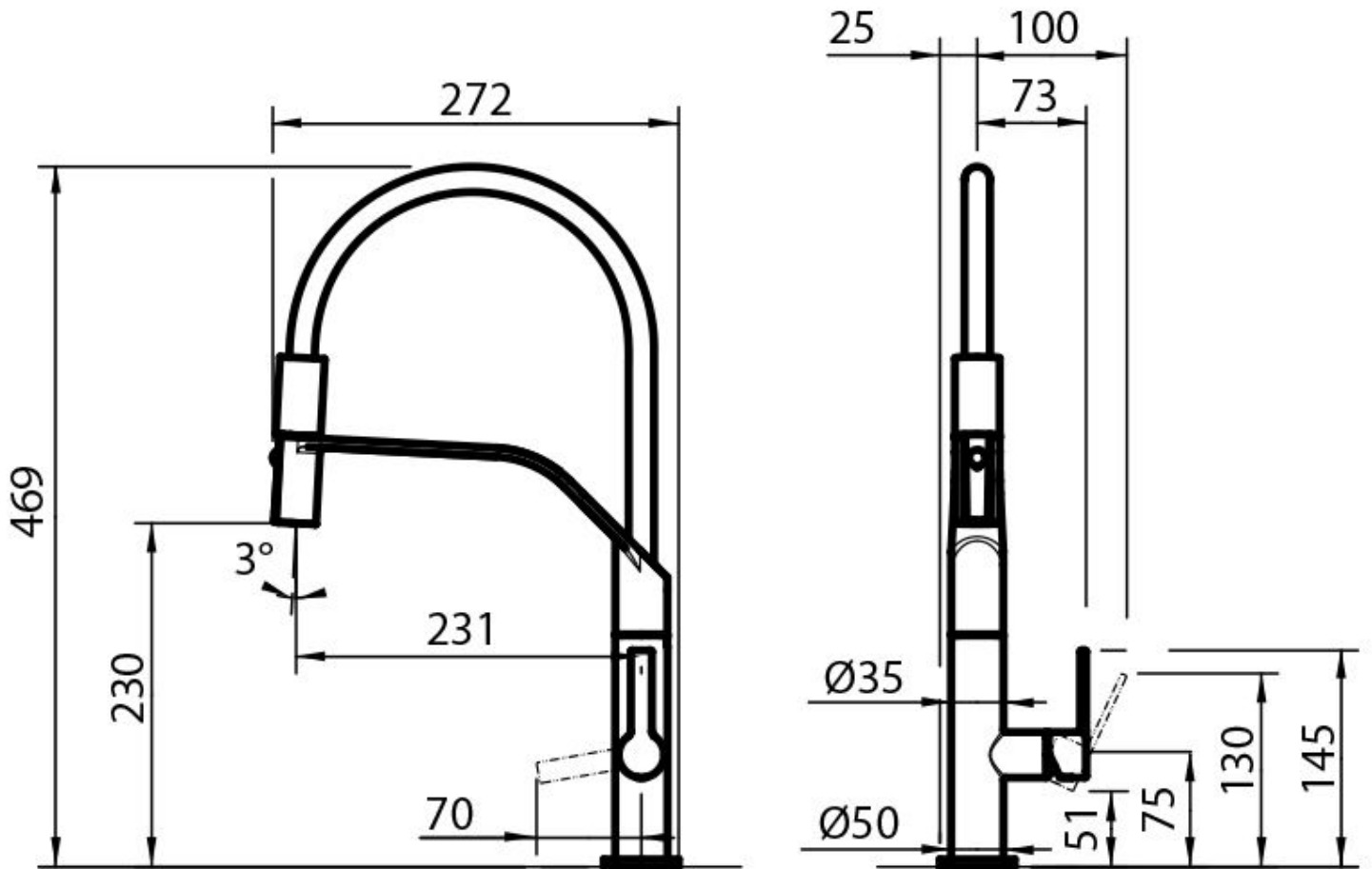
Rotating angle

All the taps have a wide angle of rotation. Some models even permit a full 360° rotation.

Strengthening plate

Foster's mixer taps are equipped with the strengthening plate that offers perfect stability on any sink.

TECHNICAL DATA



GALLERY

